



DESIGN STANDARDS	
Valve Design	BS EN 1171 - EN 1074-2
Connection	Flanged, acc to EN 1092-2
Face to Face Dimensions	EN 558-1 Basic Series 14 (F4)
Valve Test	EN 12266-1
Marking	EN 19

TECHNICAL ADVANTAGES

- GGG50 Ductile Iron Body & Bonnet. EPDM vulcanized GGG50 DI wedge.
- Stainless Steel Stem & Brass Stem nut with 3 Orings.
- Soft seated. Suitable for sewage & water applications.
- Better flow values with smaller upper body space
- Inner and outer surface of the valve is powder epoxy coated for all sizes
- Can be supplied with multi-turn electrical actuators

REMARKS

- eko2100 Series resilient gate valves can be used as ISOLATION VALVES.
- NBR coated wedge can be used for nonflammable oil applications.
- Resilient Seat Gate valves are all non-rising stem type.
- Electrical actuator connection is succeeded with an intermediary top flange

APPLICATIONS

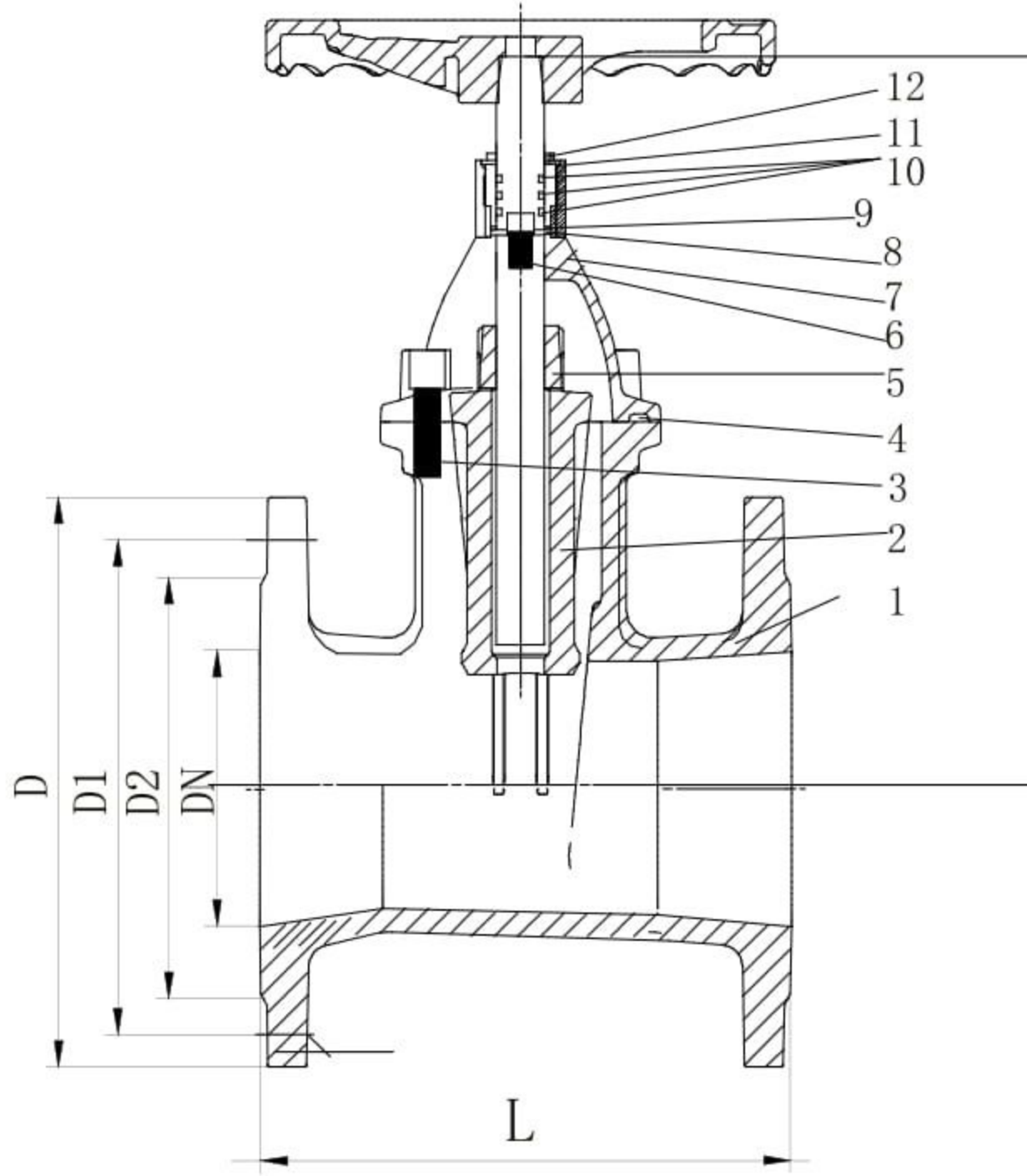
Application fields and temperatures of eko2100 Series valves vary according to the selection of the seat.

Please choose and order the seat material considering the requirements of application.

eko2100 Resilient Seal Gate Valve



TECHNICAL DRAWING



MATERIAL OF PARTS

No.	Part Name	Material
1	Body	GGG50
2	Gate	GGG50+EPDM
3	Bonnet Bolts	Steel8.8 + Wax
4	Bonnet Gasket	NBR / EPDM
5	Stem Nuts	Brass
6	Stem	2Cr13 / SS 316/ SS 316L
7	Bonnet	GGG50
8	Splint Collar	Iron+Electroplate
9	Gasket	Nylon
10	"O" Ring	NBR / EPDM
11	"O" Ring	NBR / EPDM
12	Gland	Brass

DIMENSIONS TABLE

DN	L (mm)	A (mm)	Flange Dimensions to DIN2501 (mm)										Weight KG/PCS
			D		D1		D2		f	b	n-d		
			1.0 MPa	1.6 MPa	1.0 MPa	1.6 MPa	1.0 MPa	1.6 MPa			1.0 MPa	1.6 MPa	
50	150	230	160		125		99		2	15	4-19		8
65	170	230	179		145		118		2	15	4-19		9
80	180	240	194		160		132		2	16	8-19		11
100	190	260	220		180		156		2	16	8-19		14
125	200	330	250		210		184		2	18	8-19		22
150	210	360	276		240		211		2	18	8-23		27
200	230	450	330		295		266		3	20	8-23	12-23	50
250	250	550	385	395	350	355	319		3	22	12-23	12-28	75
300	270	670	435	450	400	410	370		3	24	12-23	12-28	94
350	290	870	505	520	460	470	429		4	24,5	16-23	16-28	165
400	310	1010	565	580	515	525	480	489	4	24,5	16-28	16-31	230
450	330	1080	615	640	565	585	530	548	4	25,5	20-28	20-31	280
500	350	1180	670	715	620	650	582	609	4	26,5	20-28	20-34	330
600	390	1345	780	840	725	770	682	720	5	30	20-31	20-37	489
700	430	1843	895	910	840	840	800	800	5	32,5	24-31	24-37	750
800	470	2003	1015	1025	950	950	905	905	5	35	24-34	24-40	1100
900	510	2278	1115	1125	1050	1050	1005	1005	5	37,5	28-34	28-40	1980
1000	550	2418	1230	1255	1160	1170	1110	1110	5	40	28-37	28-43	2250
1200	630	2777	1455	1485	1380	1390	1330	1330	5	45	32-40	32-49	3240
1400	710	3110	1675	1685	1590	1590	1535	1535	5	46	36-43	36-49	4800

EKOVAL