



DESIGN STANDARDS

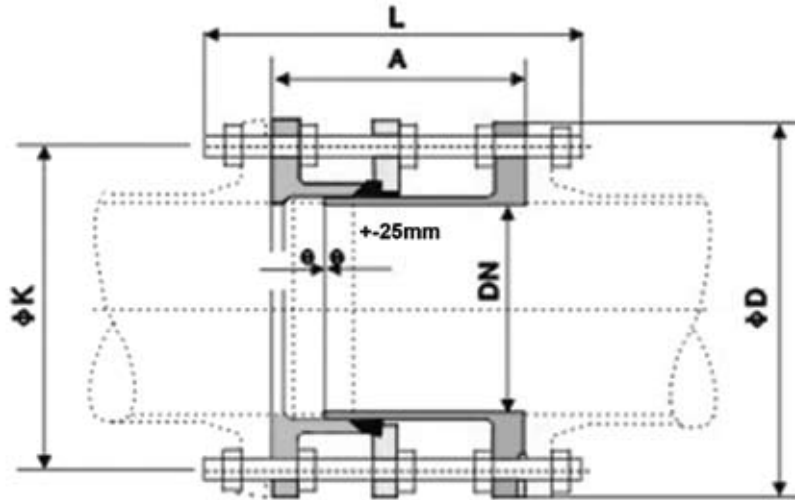
- Flanges ISO7005-2, BS EN 1092-2, DIN2501
- Ductile Iron Body
- Carbon steel with zinc coating or epoxy coating bolts and nuts
- Carbon steel / Stainless steel tie rods
- Gasket Material, EPDM, NBR,SBR

REMARKS & APPLICATIONS

- Dismantling joints enables easy installation and dismantling of isolating valves, non return valves, flow metering equipment, pumps and etc.
- It compensates for axial displacement of pipe during installation and dismantling.
- Water, Sewage and neutral liquids
- Max 70° C



DIMENSIONS AND PRODUCT DATA



DIMENSION TABLE

| DN | PN10 | | | | | PN16 | | | | | PN25 | | | | |
|------|--------|--------|--------|-----------|------------|--------|--------|--------|-----------|------------|--------|--------|--------|-----------|------------|
| | A (mm) | D (mm) | K (mm) | Bolt No*M | Mass (Kgs) | A (mm) | D (mm) | K (mm) | Bolt No*M | Mass (Kgs) | A (mm) | D (mm) | K (mm) | Bolt No*M | Mass (Kgs) |
| 40 | 180 | 150 | 110 | 4*16 | 12.5 | 180 | 150 | 110 | 4*16 | 12.5 | 190 | 150 | 110 | 4*16 | 12.5 |
| 50 | 180 | 165 | 125 | 4*16 | 14.5 | 180 | 165 | 125 | 4*16 | 14.5 | 200 | 165 | 125 | 4*16 | 14.5 |
| 65 | 180 | 185 | 145 | 4*16 | 16.8 | 180 | 185 | 145 | 4*16 | 16.8 | 200 | 185 | 145 | 8*16 | 16.8 |
| 80 | 200 | 200 | 160 | 8*16 | 18 | 200 | 200 | 160 | 8*16 | 18 | 210 | 200 | 160 | 8*16 | 21 |
| 100 | 200 | 220 | 180 | 8*16 | 22 | 200 | 220 | 180 | 8*16 | 22 | 220 | 235 | 190 | 8*16 | 33 |
| 125 | 200 | 250 | 210 | 8*16 | 28 | 200 | 250 | 210 | 8*16 | 28 | 220 | 270 | 220 | 8*24 | 42 |
| 150 | 200 | 285 | 240 | 8*16 | 30 | 200 | 285 | 240 | 8*16 | 30 | 230 | 300 | 250 | 8*24 | 53 |
| 200 | 220 | 340 | 295 | 8*20 | 43 | 220 | 340 | 295 | 12*20 | 43 | 230 | 360 | 310 | 12*24 | 74 |
| 250 | 220 | 400 | 350 | 8*20 | 54 | 230 | 400 | 355 | 12*24 | 55 | 250 | 425 | 370 | 12*27 | 102 |
| 300 | 220 | 455 | 400 | 8*20 | 76 | 250 | 455 | 410 | 12*24 | 84 | 250 | 485 | 430 | 16*27 | 131 |
| 350 | 230 | 505 | 460 | 16*20 | 94 | 260 | 520 | 470 | 16*24 | 107 | 270 | 555 | 490 | 16*30 | 193 |
| 400 | 230 | 565 | 515 | 16*20 | 126 | 270 | 580 | 525 | 16*27 | 147 | 280 | 620 | 550 | 16*33 | 245 |
| 450 | 250 | 615 | 565 | 20*24 | 145 | 270 | 640 | 585 | 20*27 | 183 | 280 | 670 | 600 | 20*33 | 280 |
| 500 | 260 | 670 | 620 | 20*24 | 162 | 280 | 715 | 650 | 20*30 | 205 | 300 | 730 | 660 | 20*33 | 324 |
| 600 | 260 | 780 | 725 | 20*27 | 210 | 300 | 840 | 770 | 20*33 | 271 | 320 | 845 | 770 | 20*36 | 432 |
| 700 | 260 | 895 | 840 | 24*27 | 254 | 300 | 910 | 840 | 24*33 | 336 | 340 | 960 | 875 | 24*39 | 571 |
| 800 | 290 | 1015 | 950 | 24*30 | 338 | 320 | 1025 | 950 | 24*36 | 408 | 360 | 1085 | 990 | 24*45 | 801 |
| 900 | 290 | 1115 | 1050 | 28*30 | 438 | 320 | 1125 | 1050 | 28*36 | 522 | 380 | 1185 | 1090 | 28*45 | 886 |
| 1000 | 290 | 1230 | 1160 | 28*33 | 518 | 340 | 1255 | 1170 | 28*39 | 616 | 400 | 1320 | 1210 | 28*52 | 1270 |
| 1200 | 320 | 1455 | 1380 | 32*36 | 678 | 360 | 1485 | 1390 | 32*45 | 867 | 450 | 1530 | 1420 | 32*52 | 1871 |