



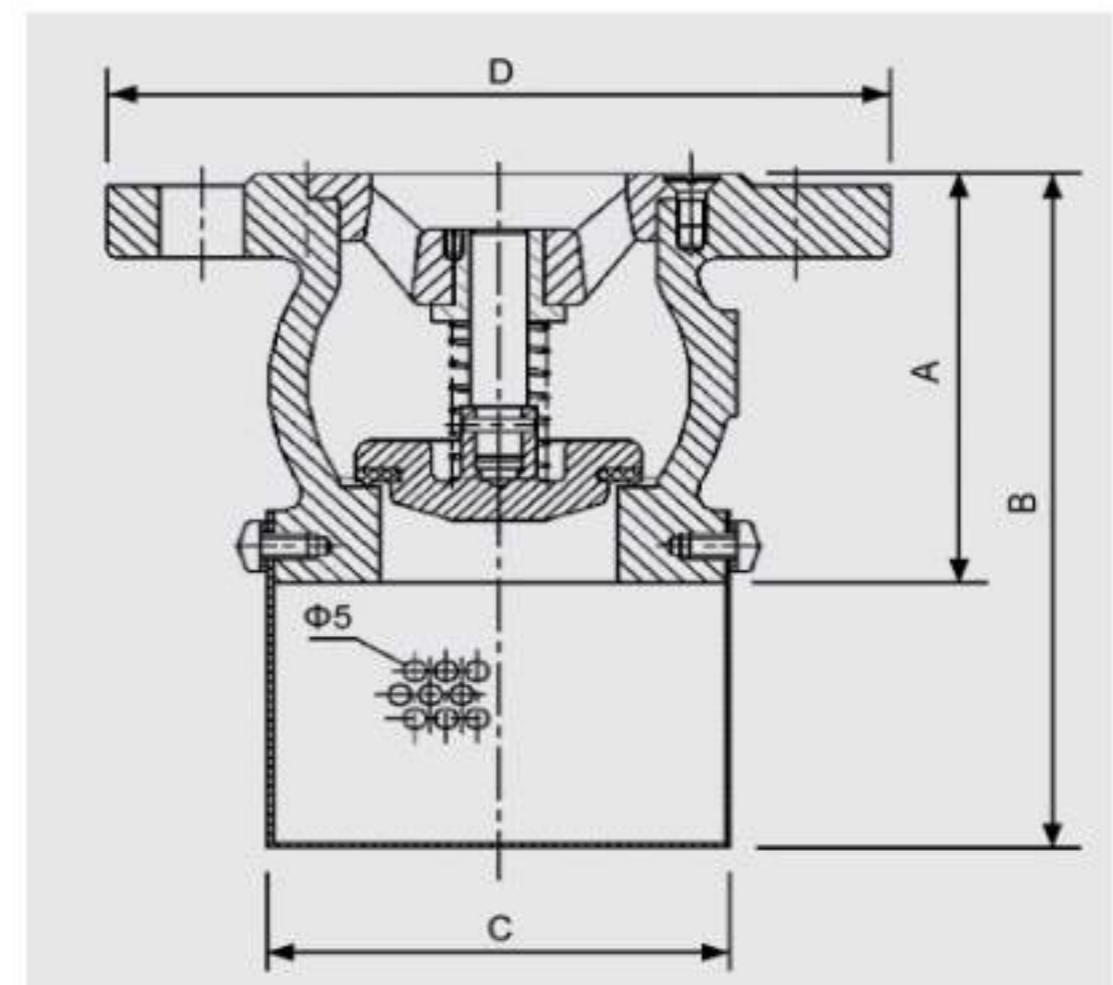
GENERAL FEATURES:

- * Provides silent operation
- * Provides positive seating and full flow area
- * Max. Operating pressure: 16 bars
- * Coated EPDM or NBR disc sealed ring
- * Perforated stainless steel screen with spot welded seal
- * Flanges are according to EN1092-2 PN16
- * Fusion bonded epoxy coated

Working Temperature: -10 C up to 120 C

PARTS & MATERIALS

Component	Material	EN Spec.	ASTM Spec.
Body	Cast Iron	EN-JS1040	ASTM A126 Class B
Disc	Cast Iron	EN-JS1040	ASTM A126 Class B
Seat	CI Integral	EN-JS1040	ASTM A126 Class B
Disc Trim	EPDM/NBR	Commercial	Commercial
Bushing	Bronze	EN1982 CC491K	ASTM B62 C83600
Stem	Stainless Steel	BS970 420S37	AISI 420
Spring	Stainless Steel	BS970 304S15	AISI 304
Support	Cast Iron	EN-JS1040	ASTM A126 Class B
Screen	Stainless Steel	BS970 304S15	AISI 304



DIMENSION TABLE: (MM)

Size	50	65	80	100	125	150	200	250	300
A	100	120	140	170	200	230	288	354	410
B	160	205	240	300	355	410	490	575	655
C	94	120	142	177	206	237	290	330	360
D	165	185	200	220	250	285	340	405	460
Weight (kg)	8	10	13	17	30	35	50	90	100

Ekoval has the right to change valve's specification without notice...