



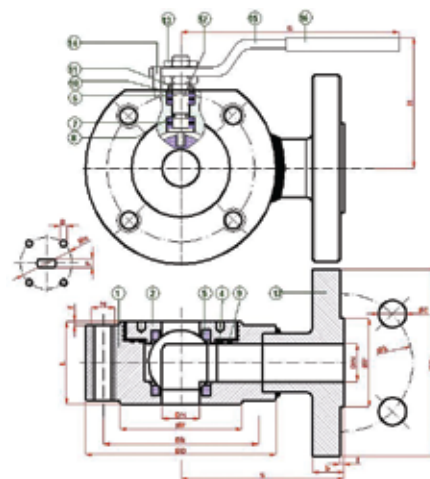
DESIGN STANDARDS

- Dimensions: BS 6755
- Connections: DIN 2545-2635/EN 1092-1
- Working Pressure: PN40
- Working Temperature: -40°C/+250°C
- Usage Areas: Naturel Gas, LPG-LNG, Fuel-Oil, Pressurized Air and Other Gases etc.



PARTS AND MATERIALS

No.	Part Name	Material
1	Body	ASTM A 105/1.4301 1.4401
2	Cover	ASTM A 105/1.4301 1.4401
3	Ball	1.4301 1.4066/1.4305 1.4401
4	Body Tightness Element	PTFE-Teflon
5	Ball Tightness Element	PTFE-Teflon
6	Neck Tightness Element	PTFE-Teflon
7	Burgman Graphite O-Ring	EN 1514-1
8	Spindle O-Ring	Viton
9	Body O-Ring	Viton
10	Pressure Ring	MS 58/1.4301 1.4401
11	Bowl Washer	50 Cr V 4
12	Action Spindle	1.4021/1.4301 1.4401
13	Counter Nut	5,6 Gal./1.4301
14	Stopping Pim	St 42 Ga./1.4301
15	Ball Action Handle	St 37/1.4301
16	Plastic Covering	PVC
17	3 Way Cover	St 37-2/1.4301



DIMENSION TABLE

Type	Dimensions and Connection Sizes															Actuator Connection Sizes		
	L	G	H	S	DN	f	D	k	M Unit	M	F	b	D1	i Unit	l	n	B	F
DN 15	45	150	75	85	15	2	87	65	4	M 12	52	16	95	4	14	35,35	M 6	7
DN 20	50	150	83	90	20	2	97	75	4	M 12	62	18	105	4	14	35,35	M 6	7
DN 25	55	180	90	90	25	2	107	85	4	M 12	68	18	115	4	14	35,35	M 6	8
DN 32	62	230	95	105	32	2	135	100	4	M 16	78	18	140	4	18	42,4	M 8	8
DN 40	74	275	115	120	40	3	145	110	4	M 16	88	18	150	4	18	49,5	M 8	10
DN 50	100	275	120	135	50	3	165	125	4	M 16	105	20	165	4	18	49,5	M 8	10
DN 65	115	320	135	150	65	3	177	145	8	M 16	125	22	185	8	18	59,39	M 10	14
DN 80	130	380	150	175	80	3	197	160	8	M 16	132	24	200	8	18	62,22	M 10	4
DN 100	150	450	170	190	100	3	232	190	8	M 20	162	24	235	8	22	69,29	M 10	18
DN 125	200	450	200	210	125	3	270	220	8	M 20	188	26	270	8	26	69,29	M 10	18
DN 150	235	650	235	225	150	3	320	250	8	M 22	218	28	300	8	26	102	M 12	18
DN 200	310	900	270	325	200	3	400	320	12	M 24	285	34	375	12	30	125	M 12	25



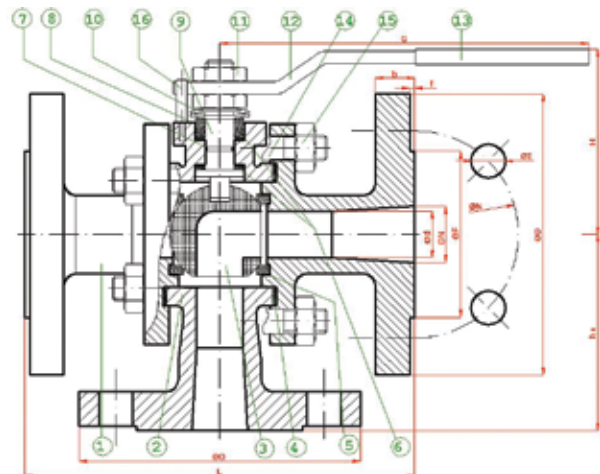
DESIGN STANDARDS

- Dimensions: EN 558-1
- Connections: Flanged, DIN 2533/2545 & EN 1092-1/2
- Working Pressure: PN16 - PN40
- Working Temperature: -30°C/+180°C
- Usage Areas: Water, Hot Water, Steam, Pressurized Air



PARTS AND MATERIALS

No.	Part Name	Material
1	Cover	St 37-2/1.4301 1.4401
2	Body	A216 WCB/1.4301 1.4401
3	Ball	1.4301 1.4086/1.4301 1.4401
4	Body Tightness Element	PTFE-Teflon
5	Ball Tightness Element	PTFE-Teflon
6	Neck Tightness Element	PTFE-Teflon
7	Spindle O-Ring	Viton
8	Pressure Ring	MS 58/ 1.4301 1.4401
9	Action Spindle	1.4021/ 1.4301 1.4401
10	Bowl Washer	50 Cr V 4/ 1.4301
11	Counter Nut	5,6 Gal./ 1.4301
12	Ball Action Handle	St 37 1.4301
13	Plastic Covering	PVC
14	Stud	Ck 35 - Ck45/ 1.4301
15	Nut	5.6/1.4301
16	Stopping Pim	St 42 Ga./1.4301



DIMENSION TABLE

Type	Dimensions						Connection Sizes											
	PN 16-40						PN 16				PN 40							
BKV-3L FL-TG	L	G	H	h1	DN	f	D	k	Holes	l	F	b	D	k	Holes	l	F	b
DN 15	130	150	83	65	15	2	95	65	4	14	45	14	95	65	4	14	45	16
DN 20	150	180	90	75	20	2	105	75	4	14	58	16	105	75	4	14	58	18
DN 25	160	230	95	80	25	2	115	85	4	14	68	16	115	85	4	14	68	18
DN 32	180	275	115	90	32	2	140	100	4	18	75	16	140	100	4	18	78	18
DN 40	200	275	120	100	40	3	150	110	4	18	88	16	150	110	4	18	88	18
DN 50	230	320	135	115	50	3	165	125	4	18	102	18	165	125	4	18	102	20
DN 65	290	380	150	145	65	3	185	145	4	18	122	18	185	145	8	18	122	22
DN 80	310	450	170	170	80	3	200	160	8	18	138	20	200	160	8	18	138	24
DN 100	350	450	200	175	100	3	220	180	8	18	158	20	235	190	8	22	162	24
DN 125	400	650	235	200	125	3	250	210	8	18	188	22	270	220	8	26	188	26
DN 150	450	900	270	270	150	3	285	240	8	22	212	22	300	250	8	26	218	28
DN 200	550	1100	330	330	200	3	340	295	12	22	268	24	375	320	12	30	285	34