



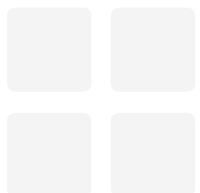
DESIGN STANDARDS	
Valve Design	BS EN 1171 and BS 5163
Connection	Flanged According to EN 1092-2 PN 6/10/16
Face to Face Dimensions	EN 558 – 1 Basic Series 3, 14 & 15
Valve Test	EN 12266-1
Marking	EN 19

GENERAL FEATURES

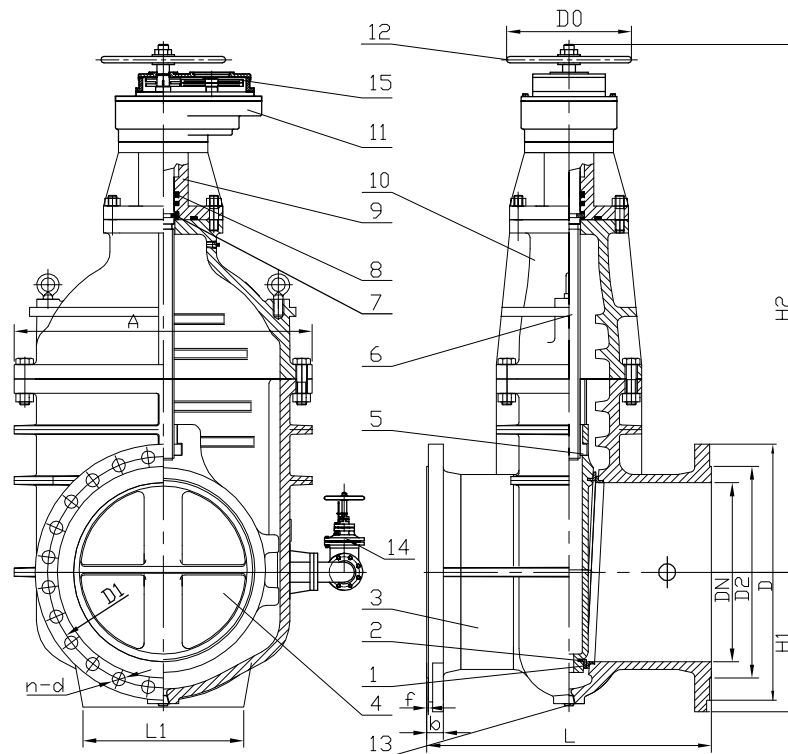
- Strong Pressure Resisting Ductile Iron Body Construction
- Internal and External Powder Epoxy Coating Minimum 300 Micron
- Different Color Coatings Available (Blue, White, etc.)
- Bronze (Gunmetal) Metal-Metal Sealing Design
- Stem Sealing Replacable under pressure.
- Gear Box Operation Standard, Optional Position Indicator
- Suitable for Electrical Actuation with ISO 5211 top Flange
- Top Plate Flanges, Support Feet, Integrated Lifting Eyes Standard
- OS&Y Rising Stem and Non Rising Stem Options
- Integrated By-Pass Valve option for Pressure Balancing
- Optional Wedge Guide and Horizontal Application.
- Standard Bottom Drain Plug and Optional Drain Valve

APPLICATIONS

- Application Pressure 10 & 16 bar and PN25 option
- Suitable for Domestic Water and Sewage Water Applications.
- Operation Temperature Min -10°C Max +100°C



eko2200 NRS NON-RISING STEM TECHNICAL DRAWING



MATERIAL OF PARTS

No.	Part Name	Material	Material Options
1	Body Seal Ring	Gunmetal LG2	Brass
2	Gate Seal Ring	Gunmetal LG2	Brass
3	Body	Ductile Iron EN-GJS:500-7	Ductile Iron EN GJS 400 etc
4	Gate	Ductile Iron EN-GJS:500-7	Ductile Iron EN GJS 400 etc
5	Stem Nut	Gunmetal LG2	Brass
6	Stem	Stainless Steel SS420	Stainless Steel 316, 304, 431 etc
7	Stem Collar	Stainless Steel SS420	Stainless Steel 316, 304, 431 etc
8	O-Ring	EPDM	NBR, Viton etc
9	Support	Ductile Iron EN-GJS:500-7	Ductile Iron EN GJS 400 etc
10	Bonnet	Ductile Iron EN-GJS:500-7	Ductile Iron EN GJS 400 etc
11	Gearbox	Ductile Iron EN-GJS:500-7	Ductile Iron EN GJS 400 etc
12	Handwheel	Ductile Iron EN-GJS:500-7	Ductile Iron EN GJS 400 etc
13	Drain Plug	Stainless Steel SS304	316, Ball Valve Option
14	By-Pass Valve		Option
15	Indicator		Option



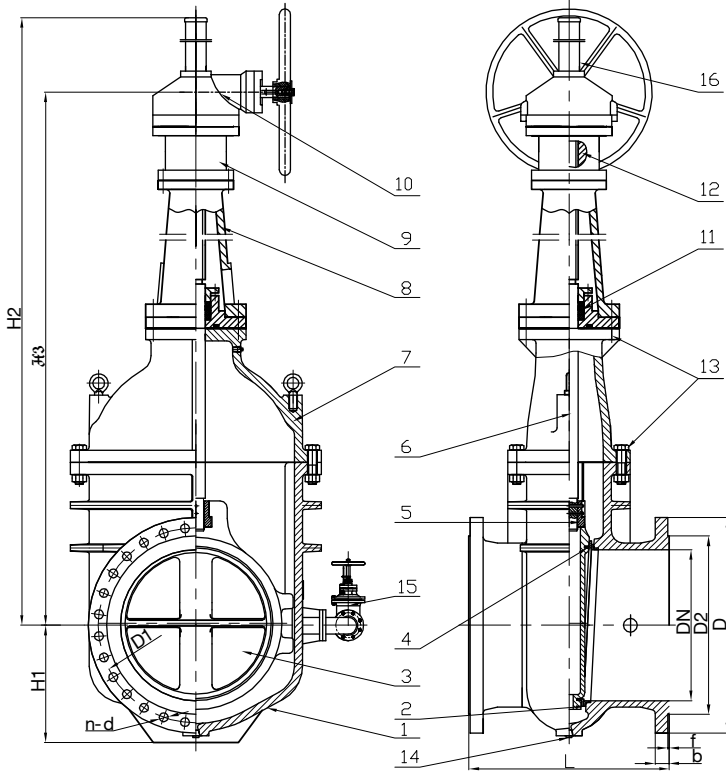
GENERAL DIMENSIONS NRS

DN mm	PN Mpa	L			L1	D	D1	D2	b	f	n-d	H1	H2	H3	B	DO	Mass Kg
		BS	FF	F5													
2000	1.6	1750	950		1750	2345	2230	2150	75	5	48-62	1348	5119	4830	2495	1000	11530
	1.0	1750	950		1750	2325	2230	2150	55	5	48-50	1248	5115	4830	2495	1000	11530
1800	1.6	1630	870		1630	2130	2020	1950	70	5	44-57	1200	4630	4650	2300	900	10542
	1.0	1630	870		1630	2115	2020	1950	52	5	44-50	1200	4630	4650	2300	900	10542
1600	1.6	1305	790		1305	1930	1820	1750	65	5	40-57	1040	4300	4370	2000	900	7740
	1.0	1305	790		1305	1915	1820	1750	49	5	40-50	1040	4300	4370	2000	900	7740
1400	1.6	1080	710		1080	1685	1590	1530	60	5	36-50	885	2295	2350	1980	900	7660
	1.0	1080	710		1080	1675	1590	1530	46	5	36-44	885	3550	3780	1980	900	7660
1300	1.6	1020	670		850	1585	1490	1429	58	5	32-50	820	2880	2900	1760	720	6230
	1.0	1020	670		850	1675	1590	1530	46	5	36-41	820	2880	2900	1760	720	6230
1200	1.6	960	630	1400	825	1485	1390	1328	57	5	32-50	825	2810	2900	1625	900	5580
	1.0	960	630	1400	800	1455	1380	1328	45	5	32-41	800	2728	2900	1625	900	5458
1100	1.6	813	550	1200	750	1355	1270	1218	53.5	5	32-44	720	2585	2555	1540	900	4650
	1.0	813	550	1200	750	1340	1270	1218	42.5	5	32-37	720	2585	2555	1540	900	4600
1100	1.6	813	550	1200	700	1255	1170	1112	50	5	28-44	680	2611	2555	1468	900	4260
	1.0	813	550	1200	600	1230	1160	1112	40	5	28-37	680	2611	2680	1650	900	3330
900	1.6	711	510	1100	645	1125	1050	1001	46.5	5	28-41	645	2323	2378	1423	900	3234
	1.0	711	510	1100	627	1115	1050	1001	37.5	5	28-34	627	2366	2378	1423	900	3234
800	1.6	660	470	1000	540	1025	950	901	43	5	24-41	640	1851	1951	1242	720	2676
	1.0	660	470	1000	495	1015	950	901	35	5	24-34	495	1686	1796	1156	720	2456
700	1.6	610	430	900	495	910	840	794	39.5	5	24-37	495	1696	1796	1156	720	2353
	1.0	610	430	900	480	895	840	794	32.5	5	24-31	495	1696	1796	1156	720	1920
600	1.6	508	390	800	490	840	770	720	36	5	20-37	470	1478	1573	950	600	940
	1.0	508	390	800	470	780	725	682	30	5	20-31	456	1462	1573	950	600	940
500	1.6	457	350	700	480	715	650	609	31.5	4	20-34	350	1204	1310	740	600	830
	1.0	457	350	700	480	670	620	582	26.5	4	20-28	350	1204	1310	740	600	815
450	1.6	432	330	650	320	640	585	548	30	4	20-31	350	1258	1154	740	600	685
	1.0	432	330	650	320	615	565	530	25.5	4	20-28	350	1204	1310	740	600	657
400	1.6	406	310	600	320	580	525	480	28	4	16-31	298	1012	1123	676	600	598
	1.0	406	310	600	320	565	515	480	24.5	4	16-28	298	1012	1123	676	600	562
350	1.6	381	290	550	285	520	470	429	26.5	4	16-28	285	1012	1132	610	500	410
	1.0	381	290	550	285	505	460	429	24.5	4	16-23	285	1082	980	610	460	410
300	1.6	356	270	500	220	460	410	370	24.5	4	12-28	248	969	869	536	460	313
	1.0	356	270	500	220	445	400	370	24.5	4	12-23	248	969	869	536	460	313

eko 2200 METAL SEAT GATE VALVE



eko2200 OS&Y RISING STEM TECHNICAL DRAWING



MATERIAL OF PARTS

No.	Part Name	Material
1	Body	Ductile Iron EN-GJS500-7
2	Body Seal Ring	Gunmetal LG2
3	Gate	Ductile Iron EN-GJS500-7
4	Gate Seal Ring	Gunmetal LG2
5	Limit Nut	Gunmetal LG2
6	Stem	Stainless Steel SS420 & Options 316, 431 etc
7	Bonnet	Ductile Iron EN-GJS500-7
8	Support	Ductile Iron EN-GJS500-7
9	Gearbox Support	Ductile Iron EN-GJS500-7
10	Bevel Gearbox	
11	Packing	EPDM & Options NBR
12	Stem Nut	Gunmetal LG2
13	Bolts & Nuts	Steel & Options Stainless Steel
14	Drain Plug	
15	By-Pass Valve	
16	Indicator	

GENERAL DIMENSIONS OS&Y

DN	PN (Mpa)	L	D	D1	D2	b	f	n-d	B	H1	H2	D0	Mass (Kg)
1200	1.0	960	1455	1380	1328	45	5	32-Ø41	1652	780	4890	900	4624
1000	1.0	813	1230	1160	1112	40	5	28-Ø37	1468	670	4386	900	3842
900	1.0	711	1115	1050	1001	37.5	5	28-Ø34	1423	645	3820	900	3060
800	1.0	660	1015	950	901	35	5	24-Ø34	1180	540	3760	640	2263
700	1.0	660	895	840	794	32.5	5	24-Ø31	1136	483	3180	640	1620
600	1.0	508	780	725	682	30	5	20-Ø31	950	470	2650	640	1260
500	1.0	457	670	620	582	26.5	4	20-Ø28	812	370	2302	640	910
450	1.0	432	615	565	530	25.5	4	20-Ø28	740	338	2069	640	790
400	1.0	406	565	515	480	24.5	4	16-Ø28	676	298	1900	500	720

EKOVAL